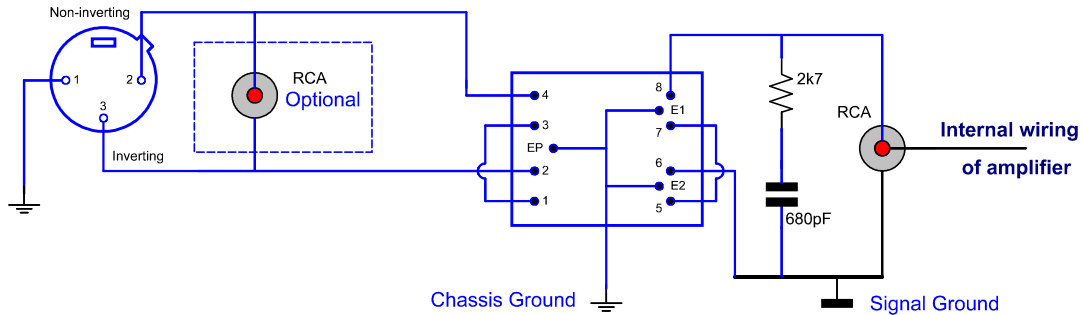


LL1570 or LL1570XL



ADDING XLS CONNECTOR TO AMPLIFIER WITH RCA CONNECTION (FAT WIRE IS AMPLIFIER CHASSIS)
 ADDED BALANCED RCA CONNECTOR IS OPTIONAL. MUST BE FLOATING GROUND TYPE
 BLUE = ADDED PARTS. BLACK IS EXISTING PARTS.



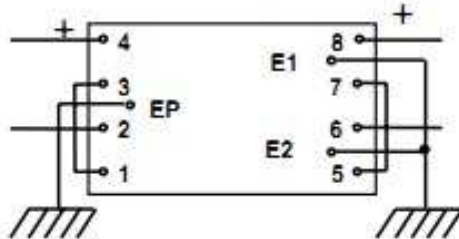
RC Network Optional Expands Bandwidth specified 200kHz.

I measure 250kHz with the EE08 board.

Termination:
R1=2k7
C1=680pF

This is an example of correct wiring. When doing so with loose wires, without PCB, the same can be achieved of course. Only, mistakes can slip in quickly, if the simplified schematic from above is taken.

Serial-serial connection (1 : 1)
for line input or output



Copy from Lundahl LL1570 Data Sheet

LL1570-XL has it all. It can be used in series, parallel, or as splitter. It has very good signal level, low windings resistance, excellent internal shielding, and core+can connected with a wired pin. Sectioning of the windings is very high, resulting in 200kHz bandwidth. Mu-Metal core for low distortion and no damage by accidental DC current. Even the price is attractive. For good reason, the #1 choice of many professional and DIY users.

Document Title:	Adding XLR connector RCA Amplifier. with LL1570. Serial 1:1		
Date created:	5.1.2009	Last Revision:	C 16.2.2023
Pages:	1	of	1
Created by:	Dipl. Ing. Jac van de Walle www.jacmusic.com (Copyright)		JAC MUSIC